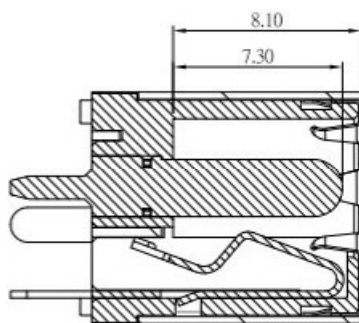
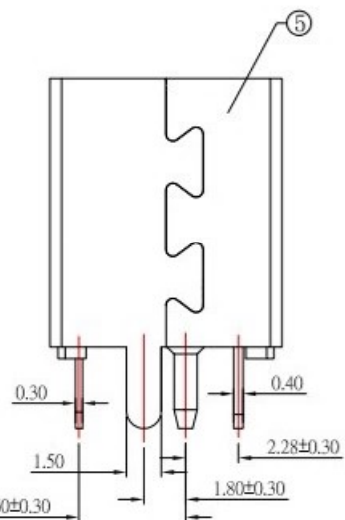


P.C.B LAYOUT
TOP VIEW

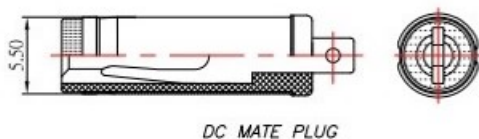


SECTION

MODEL NO.	DC-D1842V-x-S214
SCHEMATIC	
CENTER PIN	∅2.00 mm
	∅2.50 mm
	∅3.00 mm

SPECIFICATION

1. Rating : DC 48V, 5.5A ;
2. Contact resistance : $\leq 30m\Omega$;
3. Insulation resistance : $\geq 100M\Omega$;
4. Withstand voltage : 500VAC ;
5. Insertion and extraction force : 3-30N;
6. life test : 5,000 cycles .



DC MATE PLUG

NO.	DESCRIPTION	QTY	MATERIAL	REMARK
6	SPRING PIECE	1	SUS	——
5	COAT	1	IRON	Ni-Plating
4	PIN	1	ZINC ALLOY	Ni-Plating
3	CONTACT FOOT	1	BRASS	Ag-Plating
2	SPRING PIECE	1	PHOSPHOR BRONZE	Ag-Plating
1	HOUSING	1	PA9T	——

东莞市高迪电子有限公司
Dong Guan KDRR Electronic Switch Jack Co., Ltd.

TOLERANCE UNLESS OTHERWISE STATED :
 Up to 3 ±0.2
 Above 3 - 15 ±0.3
 Above 15 - 30 ±0.4
 Above 30 - 50 ±0.5
 Angle ±0.3

3RD. ANGEL'S

UNITS MM

DRAWN BY:	DATE	MAT'L	TITLE	JACK
Jack Lu	08/27/20		MODLE	DC JACK
CHECKED BY:	DATE	FINISH	DWG NO.	DC-D1842V-x-S214
Jacky Chen	08/27/20		PART NO.	DC-D1842V-x-S214
APPROVED BY:	DATE	SCALE	1 : 1	SIZE A4
Tony Kao	08/27/20	SHEET NO.	1 of 1	VER R

ITEM NO.	DESCRIPTION	DRAWN	DATE